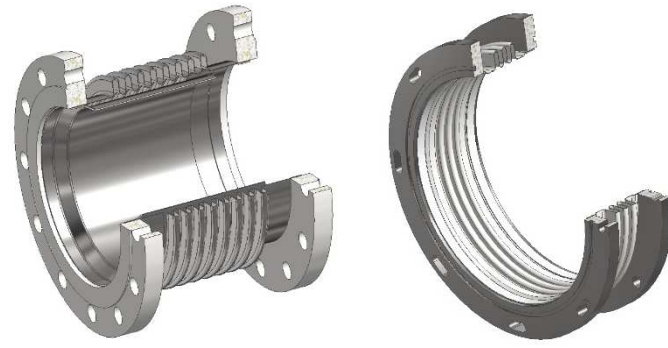


Exhaust Expansion Joints

Stainless steel exhaust expansion joints and exhaust bellows are specially designed to manage thermal expansion and vibration on high temperature exhaust systems on stand-by generators, diesel and gas engines, commercial vehicles, steam and gas turbines and marine applications.



Bellows Technology stainless steel exhaust bellows are commonly rated for temperatures of 600 Degrees Celsius and are utilized as exhaust manifold bellows, turbo connections, exhaust uptake bellows and on silencer connections. Exhaust expansion joints and exhaust bellows can be supplied in many configurations, typically they can include the following;

- Flanged exhaust expansion joints supplied as 'single' or 'double' bellows
- Weld-end exhaust expansion joints supplied as 'single' or 'double' bellows
- Slotted-Cuff exhaust expansion joints supplied as 'single' or 'double' bellows

Construction options can include;

- 50mm - 3000mm DN inclusive
- Lengths to suit
- Multiply convoluted membranes
- Material combinations can include stainless steels, carbon steels and high alloy 'exotic' materials
- Internal flow sleeves and liners
- Fixed and/or Swivel flanges
- Limit or control rods
- External protective shrouds
- Extension stubs
- Shipping bars
- Specialist flange coatings
- Non Destructive Testing

Call on our experience
+44 (0) 1663 745873

BELLOWS
TECHNOLOGY LTD