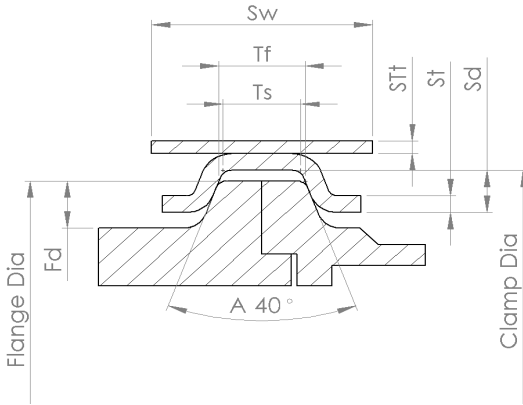


Customer _____

Dimensional Preferences

Quote Ref _____

Dimensions if known



For angle we recommend 40°

	Symbol	Value	Units
Flange Diameter	Flange dia	_____	_____
Flange Tip Width	Tf	_____	_____
Flange Angle	A	_____	_____
Flange Depth	Fd	_____	_____
Segment Diameter	Clamp Dia	_____	_____
Segment Tip Width	Ts	_____	_____
Segment Angle	A	_____	_____
Segment Depth	Sd	_____	_____
Segment Thickness	St	_____	_____
Strap Width	Sw	_____	_____
Strap thickness	STt	_____	_____

Preferred Clamp Style (If Known)

Quantities

Per annum _____
batch sizes _____

Preferred Materials of Construction

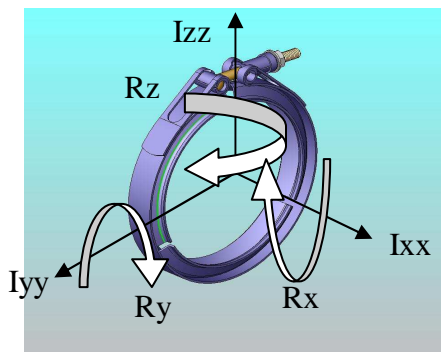
Flanges _____
Clamp _____
Bolting _____
Nut if used _____
Joint material and dimensions _____
initial clamping load _____
Is clamp area insulated _____
Local Space restrictions _____
Description of application _____

Environment

Expected life _____
Fluid/Gas Temperatures _____ °C
Metal Temperatures _____ °C
Vibration _____ Amplitude _____ G level _____ Frequency
Description of External Environment _____
Service frequency _____

Known Applied Forces

Pressure P _____ BarG/ PSIG



Applied loads not included above

Force Ixx Newton
Force Iyy Newton
Force Izz Newton
Torque Rx newton metre
Torque Ry newton metre
Torque Rz newton metre